

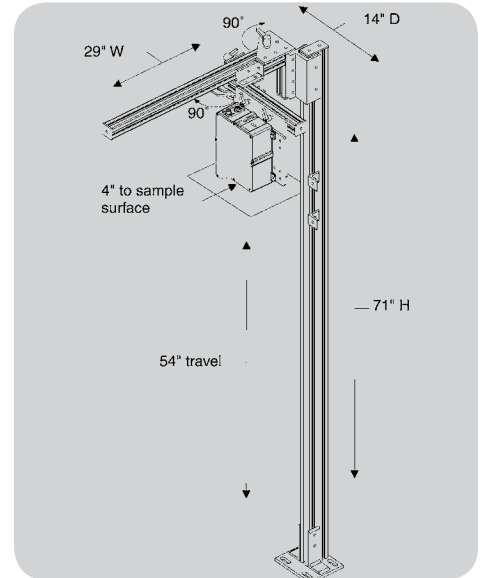
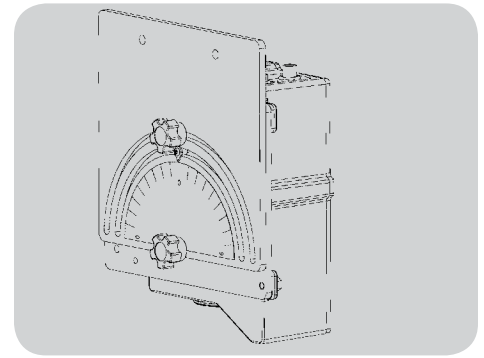


VeriColor® Spectro Mounting Stand

Lock in consistent measurement accuracy with this sturdy unit that ensures control of X, Y, Z coordinates for an instrument along with any measurement angle. This allows creation of set measurement standards for documentation and resetting even as process components are changed throughout a shift or work day.

VeriColor Spectro Mounting Stand Advantages

- **Easy to Use.** Minimum assembly required; simple measurement process
- **Treelight.** Provides easy visual reference for pass, warning, and fail modes
- **Consistent.** Use measurement to create benchmark positioning for all samples
- **Versatile.** Adjusts to a variety of shapes
- **Convenient.** Swing arm allows for easy instrument calibration, maintenance, and temporary removal of instrument from the process line
- **Protects Instruments.** Breakaway swing arm prevents damage to instrument caused by process or product binding and other mechanical hazards
- **Rugged.** Made from 80/20 Aluminum; bolts easily to shop floor



Included:

- Stand
- Floor Mounting Bracket (Bolts Not Included)
- Tree Light (LED with Red, Amber, Green)
- Instrument Mounting Plate
- Assembly Instructions
- Wiring Instructions (for Tree Light)
- Attachable Metallic Tape Measure (2)

* Individual components not sold separately

X-Rite: Your source for accurate color. On time. Every time.

X-Rite is a world leader in providing global color control solutions for manufacturing and quality management requirements.

We lead the industry in offering service options to ensure uninterrupted performance of all X-Rite products. Training and educational resources are available globally and online for both new and experienced users to optimize their color measurement capabilities.

Visit xrite.com for more information about X-Rite products. X-Rite customers worldwide may also call the Applications Support team at CASupport@xrite.com or Customer Service at 800-248-9748.

X-RITE WORLD HEADQUARTERS

Grand Rapids, Michigan USA • (800) 248-9748 • +1 616 803 2100
© 2007, X-Rite, Incorporated. All rights reserved.



xrite.com